

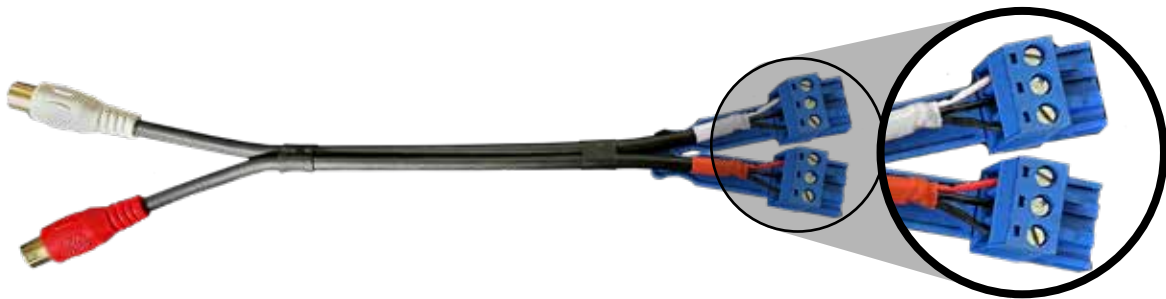
Included Equipment



1. Wire the HS-SUB-12 to channel 2 on the amp.
2. Set all Acoustiscape speakers to 70V AS-1(15w), AS-2(25W)
3. Wire up Acoustiscape speakers in parallel to channel 1.



4. Wire the RCA's into the input section of the LEA amp as shown in illustration below.

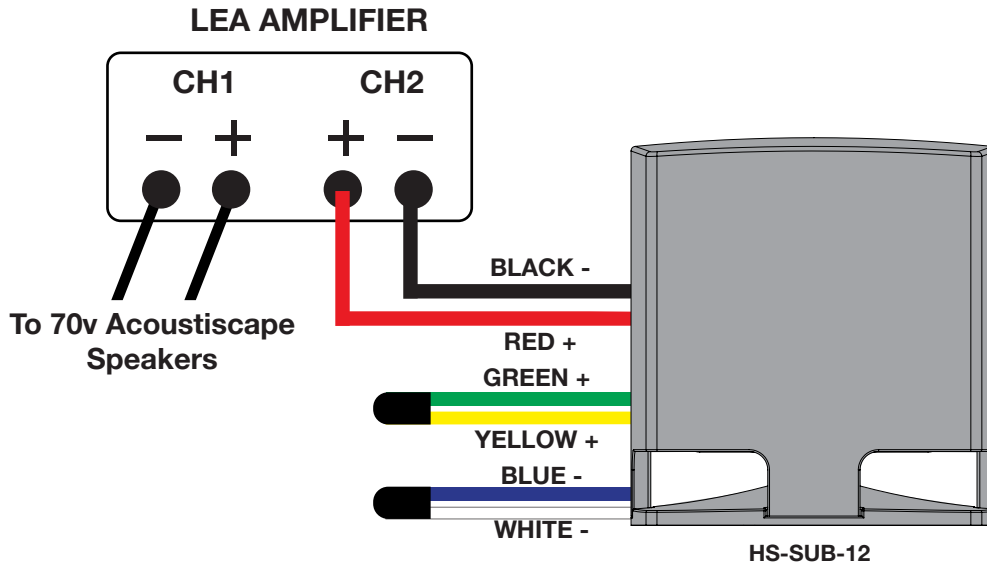


5. The LEA amp comes shipped with the correct DSP (Ch.2 HS-12PRO, Ch 1. AS-2) settings needed to operate the demo kit. Do not adjust the DSP settings.

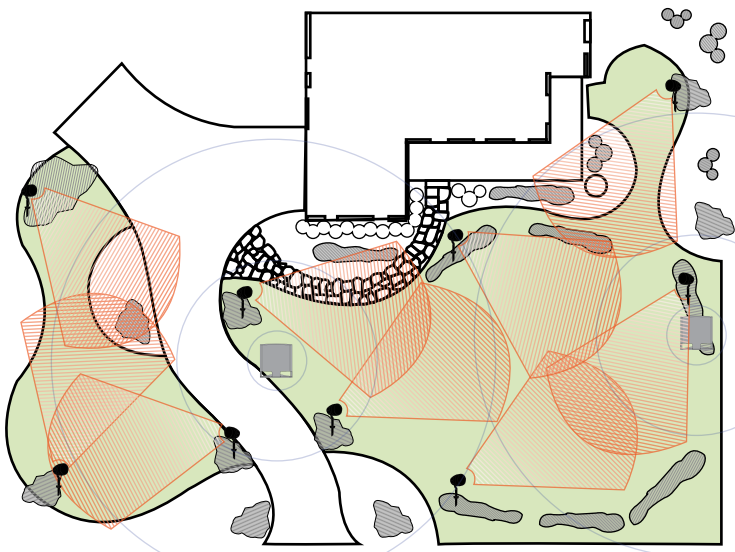
Wiring

70v Wiring from LEA Amplifier:

Connect the (red +) and the (black -) from the HS-SUB-12 to channel 2 on the LEA amplifier.



Backyard Satellite View



70V Installation Basics

Set taps to desired listening level. The tap settings can be changed as long as the total speaker wattage does NOT exceed 100% of the amp's power. The AS-2 tap setting dial can be found on the back of the speaker.

NOTE: Lower tap settings allow for more speakers but a lower maximum volume

