

Since 1997 TruAudio has been designing some of the finest home audio speakers available. The new custom length soundbar takes everything we have learned to the next level. They are the best-sounding, best-looking and easiest to install custom soundbars available. Rock-solid construction and sensible mounting options make these soundbars extremely installer friendly. Once installed (and after you get done staring at how nice they look with your TV) you'll wonder how TruAudio managed to get such amazing sound and incredible bass out of such a thin and sleek soundbar. It's because we never stop innovating.

Contents:

- (1) Soundbar – Custom cut and labeled for your application
- (1) Cloth-Wrapped Grill, cut specific to the soundbar
- (1) Wall Mount Bar
- (2) Wall Mount Blocks with leveling screws
- (8) Rubber Pads
- (1) TruAudio Logo Badge

Description

The custom length soundbar was designed to work great with most flat or curved screen TV's. They can be custom-cut to match TV's from 41.4" to almost 82" wide. Our patent-pending wire pass-through design makes terminating the soundbar a breeze. The thin-profile aluminum enclosure not only provides the soundbar with a luxurious look and feel, but also guarantees its durability. Because of their 3-channel design they are perfect for a discrete 5.1 system, although they can be ordered as stereo or center channel only if desired. All models share the same great modern design and innovative mounting features. The basic models sound anything but "basic", but for a step up in performance and looks go with our signature carbon fiber/titanium models.

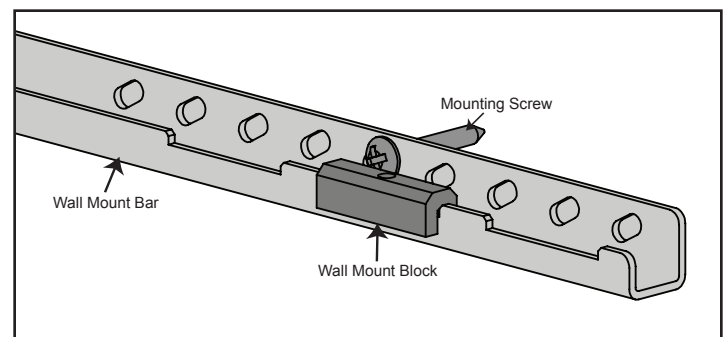
Installation

The soundbar can be mounted using the included wall mount bracket, or mounted directly to the TV using the optional SB-CUSTOM-TVB mounting bracket.

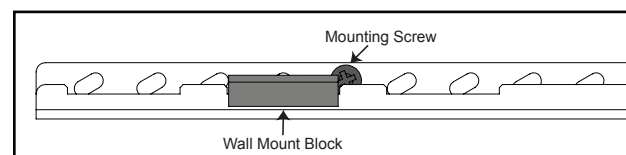
Using the (included) Wall Mount



Mount the wall mount bar to the wall using appropriate screws. Make sure the bar is installed level with the TV. When installed, the top of the soundbar will sit approximately 3/8" (10mm) higher than the top edge of the wall mount bar. The bottom of the soundbar will be approximately 5.75" (146mm) below the top edge of the wall mount bar.

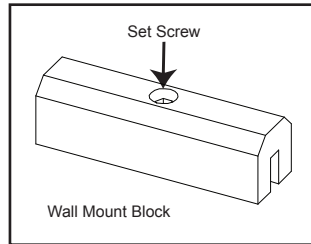


Place one wall mount block on either side of the bar, making sure the set screw is centered in the block prior to placing it on the bar. Each block should be placed in the recess just to the outside of the mounting screw for that side of the bar. The soundbar will rest on these blocks when installed and a wider placement gives the soundbar more stability. Placing the blocks too far from the mounting screws may allow the bar to bend.



Place the soundbar on the wall mount, taking care to not disturb the wall mount blocks. It may be necessary to level the soundbar slightly if mounted very close to the TV. If so, remove the soundbar from the mount and adjust the set screws in the blocks. Screwing the set screw further into the block will raise that side of the soundbar

slightly. You should only adjust the set screw a maximum of 1/16" (1.5mm), and should never unscrew the set screw, as that could make the soundbar unstable on the mount.

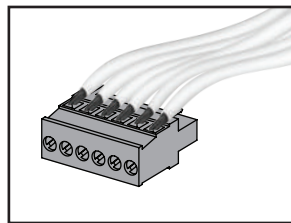
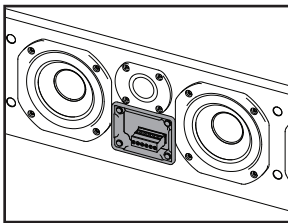


Using the (optional) TV Mount

Refer to the instructions included with the SB-CUSTOM-TVB when mounting the custom length soundbar to a TV directly.

Wiring the Soundbar

The magnetized cover panel on the front of the soundbar hides a 6-conductor Phoenix connector. To wire the soundbar, remove the cover panel and pass the speaker wires through to the front of the soundbar. Remove the unterminated Phoenix connector and terminate the speaker wires according to the markings on the Phoenix connector, making sure to keep the polarity and position correct for each channel. Be careful to avoid any loose strands that could cause a short between conductors.



In order for these soundbars to perform to their full potential, we recommend pairing them with a quality home theater receiver or amplifier. For more information on installing or wiring the soundbar please see the installation videos posted online at truaudio.com.

Specifications

SB-CUSTOM-LC

Color: Black
 Speaker Type: Low Profile Custom Length LCR Soundbar
 Tweeter: (3) 1" Titanium
 Woofer: (3) 4.5" Carbon Fiber
 Passive Radiator: (3) 4.5" Carbon Fiber
 Grill Type: Cloth/Aluminum
 Power: 100W per channel RMS
 Sensitivity: 89 dB
 Freq Response: 60Hz to 22kHz
 Impedance: 8 ohm
 Finish Dims: 6.14" (156mm) H, 2.44" (62mm) D, 81.88" (2080mm) to 62.00" (1575mm) L Customizable

SB-CUSTOM-SC

Black
 Low Profile Custom Length LCR Soundbar
 (3) 1" Titanium
 (3) 4.5" Carbon Fiber
 (3) 4.5" Carbon Fiber
 Cloth/Aluminum
 100W per channel RMS
 89 dB
 60Hz to 22kHz
 8 ohm
 6.14" (156mm) H, 2.44" (62mm) D, 61.97" (1574mm) to 41.42" (1052mm) L Customizable

SB-CUSTOM-LP

Color: Black
 Speaker Type: Low Profile Custom Length LCR Soundbar
 Tweeter: (3) 1" Silk Soft Dome
 Woofer: (3) 4.5" Injected Polypropylene
 Passive Radiator: (3) 4.5" Injected Polypropylene
 Grill Type: Cloth/Aluminum
 Power: 100W per channel RMS
 Sensitivity: 88 dB
 Freq Response: 80Hz to 20kHz
 Impedance: 8 ohm
 Finish Dims: 6.14" (156mm) H, 2.44" (62mm) D, 81.88" (2080mm) to 62.00" (1575mm) L Customizable

SB-CUSTOM-SP

Black
 Low Profile Custom Length LCR Soundbar
 (3) 1" Silk Soft Dome
 (3) 4.5" Injected Polypropylene
 (3) 4.5" Injected Polypropylene
 Cloth/Aluminum
 100W per channel RMS
 88 dB
 80Hz to 20kHz
 8 ohm
 6.14" (156mm) H, 2.44" (62mm) D, 61.97" (1574mm) to 41.42" (1052mm) L Customizable

SoundVision Technologies dba TRUAUDIO

SPEAKER PRODUCT WARRANTY

All in-ceiling, in-wall, in-room speakers and volume controls have a limited lifetime warranty. This warranty includes lifetime parts and repair labor on all components. The warranty extends only to the original purchaser of the product and not to any subsequent owner. TRUAUDIO's obligation under these warranties is limited to repairing or replacing any component found defective in material or workmanship under normal conditions of use with an equal and/or current product. These warranties shall not apply to products which have been abused, modified, or disassembled. Products to be repaired or returned under this warranty must be returned to the factory through an authorized TruAudio dealer with all transportation and insurance charges prepaid.

It is the policy of TRUAUDIO to continuously incorporate improvements into our products. All specifications are subject to change without notice. If you have any questions regarding this or any other TRUAUDIO products, please visit www.TruAudio.com or contact us:

Office: 1-888-858-1555, Monday-Friday 7 am - 6 pm MST.
 Fax: 435-251-9815
 Email: CustomerService@truaudio.com

TruAudio
 198 N Old Highway 91
 Hurricane, UT 84737 USA