



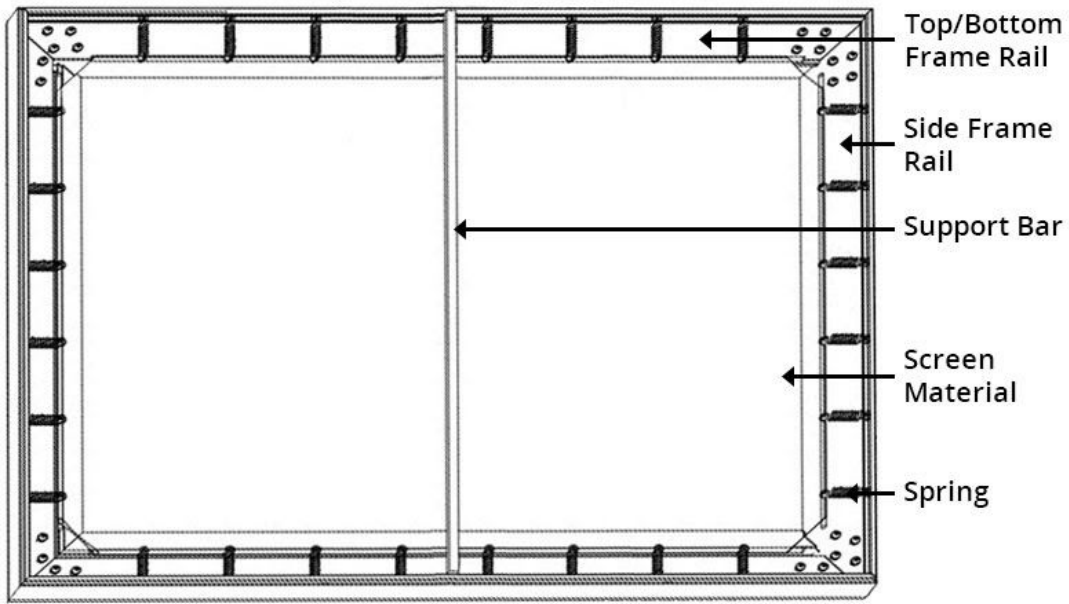
Instruction Manual for Impression & Legacy Series Fixed Frame



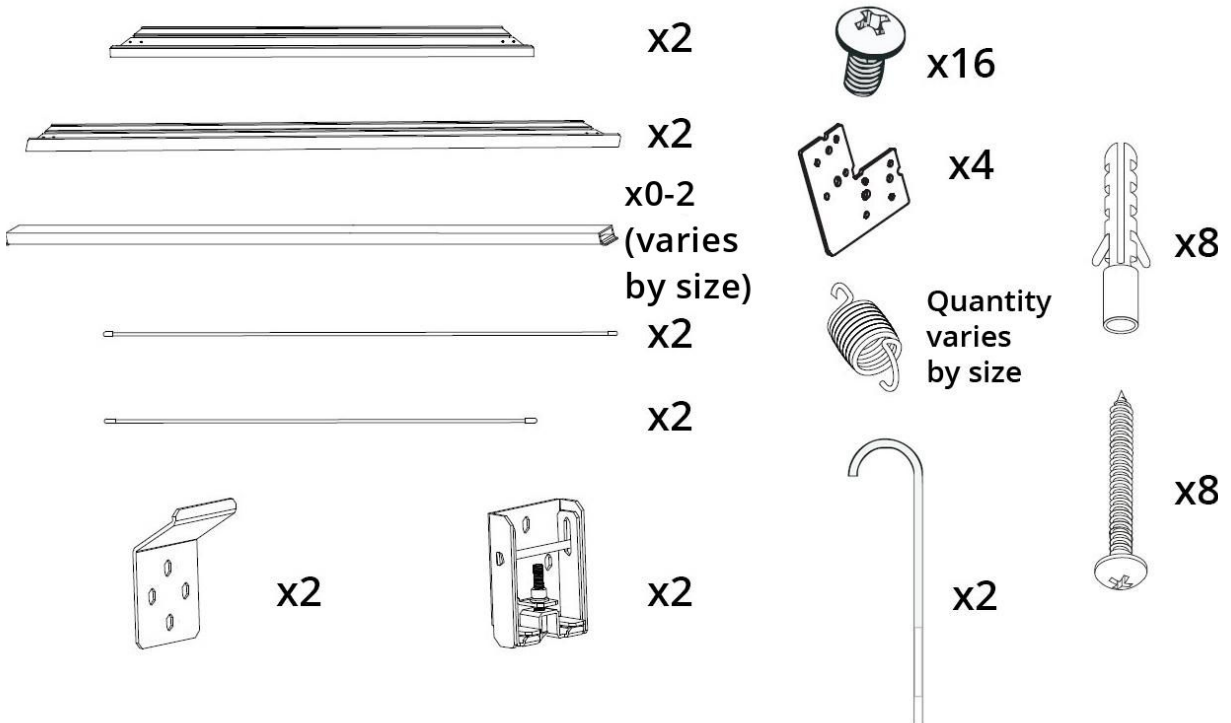
MODELS: IF169*, IF1610***, LF169***, LF1610*****

Thank you for purchasing a Severtson projection screen. Before use, please read the instructions carefully. After installation, store the instructions for future reference.

Overview



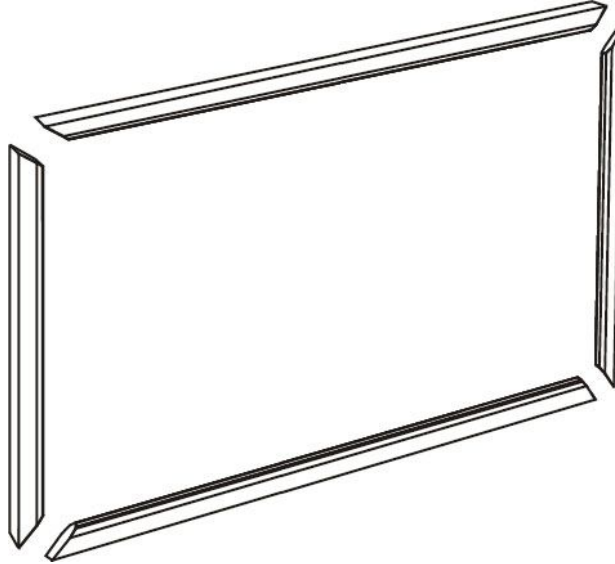
Parts Included



Installation Instructions

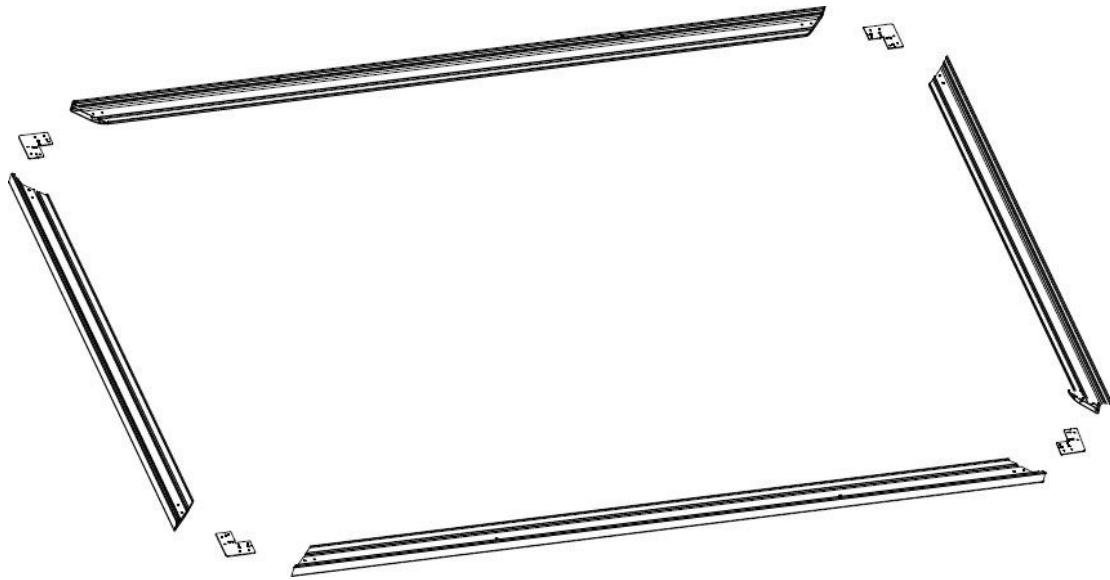
Take out all the parts from the packaging and verify that all the parts have been included. Then follow the steps below to install the screen.

1. Locate top, bottom, and side frame pieces (*Fig. 1.1*) and lay them on a clean, flat surface.

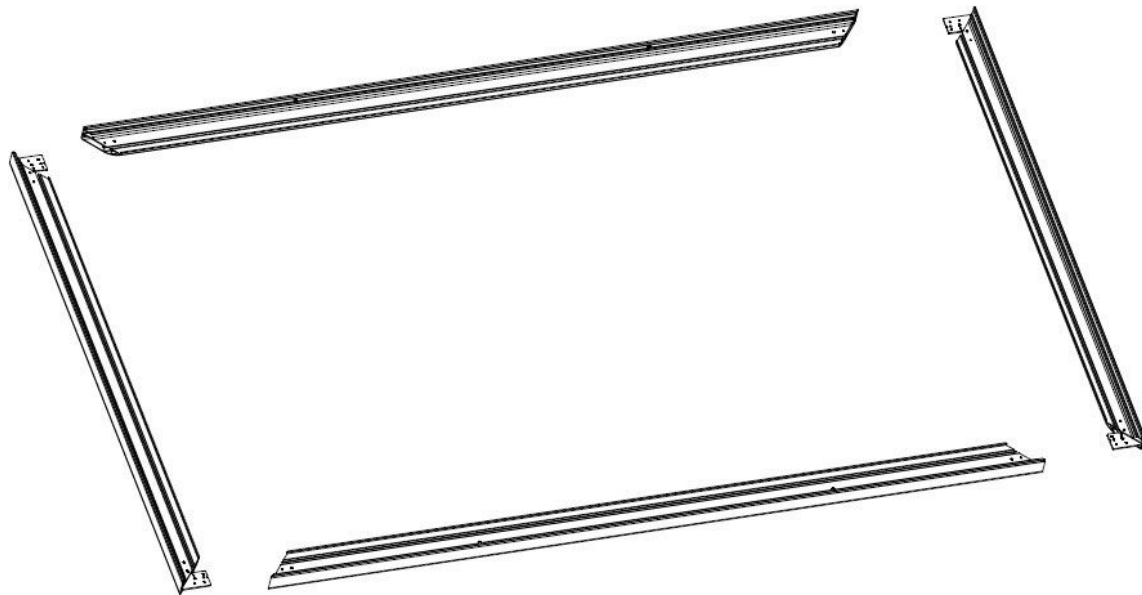


[Figure 1.1]

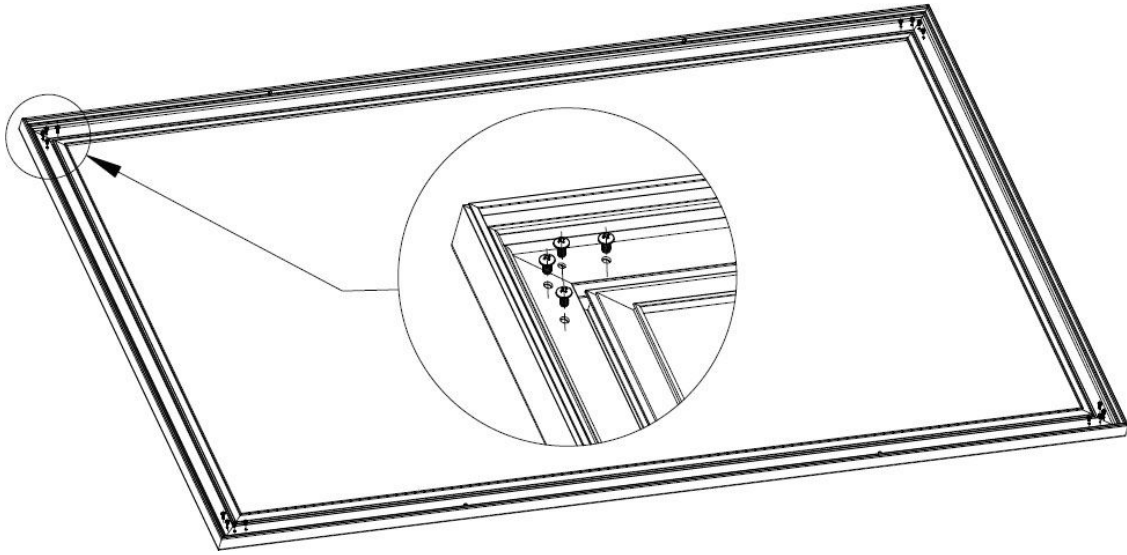
2. Lay out the frame rails aligned with the corner brackets (*Fig. 2.1*). Slide a bracket into the slot at each angled end of the side frame rails (*Fig. 2.2*) and secure in place with two corner bracket screws, but do not tighten the screws all the way down. Join the side frame rails to the upper and lower frame rails, allowing the exposed bracket to slide into the track at the angled end of the upper and lower frame rails. Secure the corner brackets in place with the remaining bracket screws and fully tighten all bracket screws (*Fig. 2.3*). The frame should now be square at all four corners with no gaps.



[Figure 2.1]



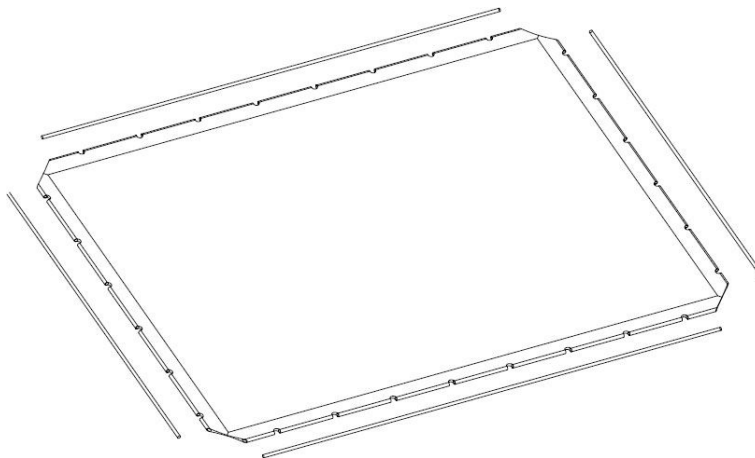
[Figure 2.2]



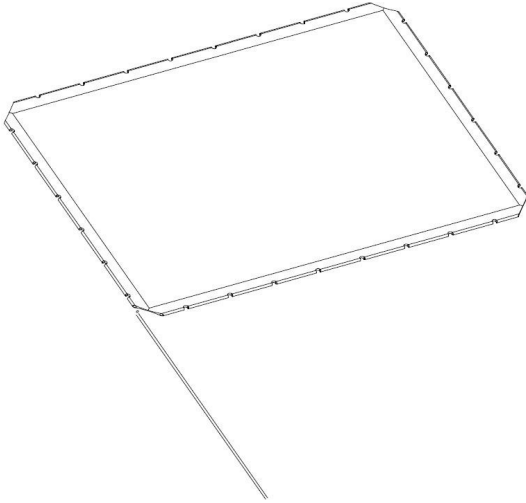
[Figure 2.3]

3. Unroll the screen material and carefully lay it inside the frame, projection-side-down and rotated in the correct direction.
4. Lay out the tension rods around the screen material (*Fig. 4.1*). Insert the two short tension rods into the left and right side pockets of the screen material (*Fig. 4.2*). Be careful not to puncture the screen material as you slide the rods through the screen pockets. Insert the two long rods into the upper and lower pockets of the screen material (*Fig. 4.3*).

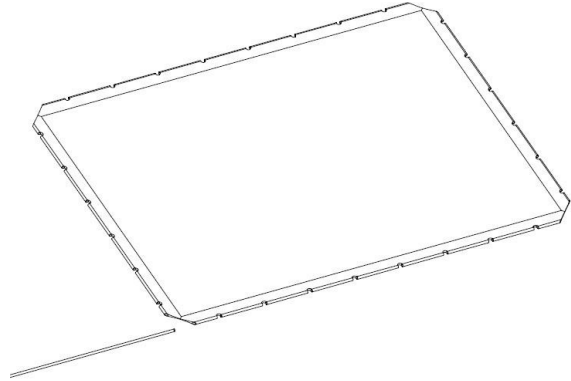
Note 4.1: Sometimes it can be difficult to slide the longer rods completely through the pockets. It may be helpful to use one hand to keep tension on the nearest installed short tension rod for leverage while feeding the long tension rod through the longer pocket.



[Figure 4.1]

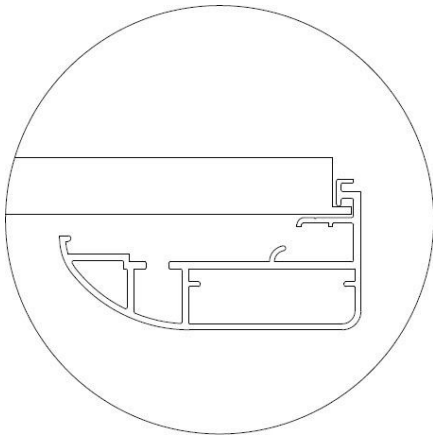


[Figure 4.2]

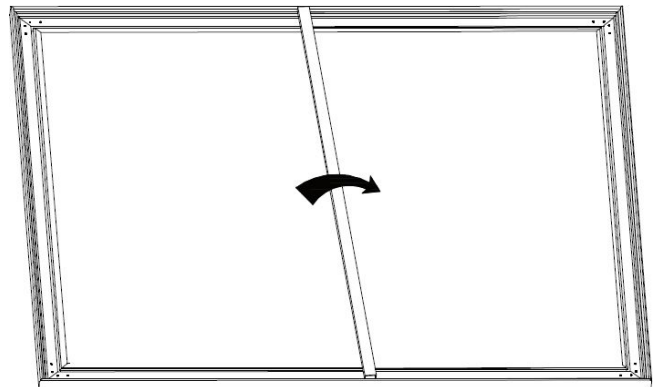


[Figure 4.3]

5. With the screen material laying out in the frame insert one end of the support bar into the proper track on the frame (*Fig. 5.1*). With one end of the support bar in place, slide the other end of the bar left or right until the angle allows for the end of the bar to slide into the track. Slide the support bar back along the track until it is square with the frame (*Fig. 5.2*). *Some smaller screens do not require a support bar, and will not be shipped with one.



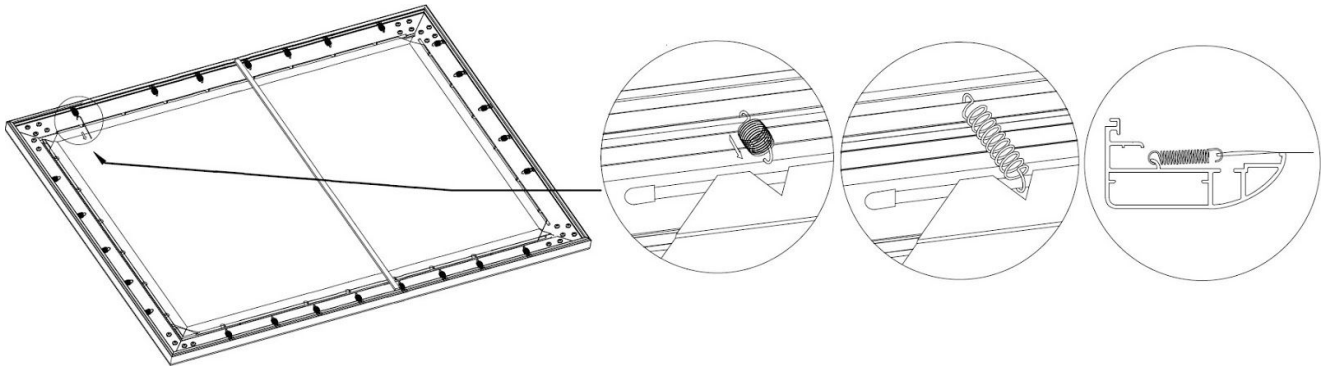
[Figure 5.1]



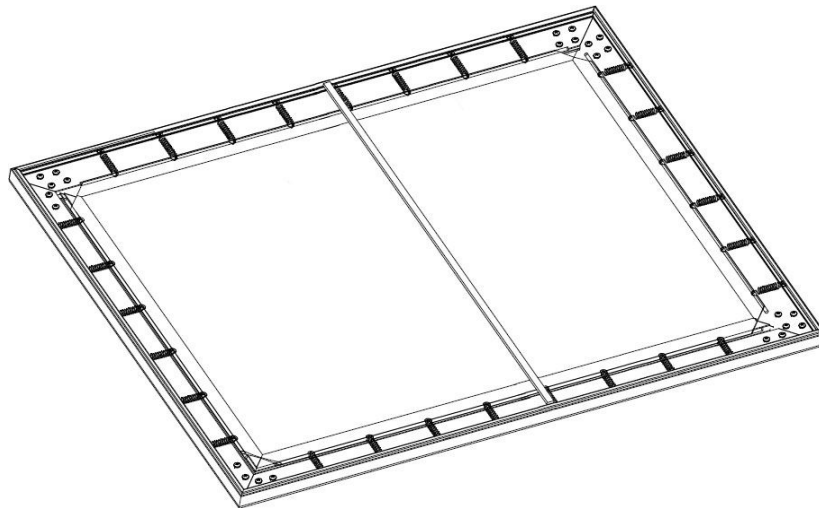
[Figure 5.2]

6. Count the number of cut-out notches at each edge of the screen material. Then hook one spring per cut-out notch onto the frame at the corresponding location. On each spring, the small hook is for connecting to the frame and the larger hook is for connecting to the screen tension rod. For each corner of the frame, stretch the two closest springs to the corner onto the exposed tension rods at each cut-out notch (*Fig. 6.1*). Then continue to stretch the springs onto each tension rod at the cut-out notches all around the screen

material until all springs are attached (*Fig. 6.2*). Always use larger springs first. Only use smaller springs if more tension is needed.



[Figure 6.1]

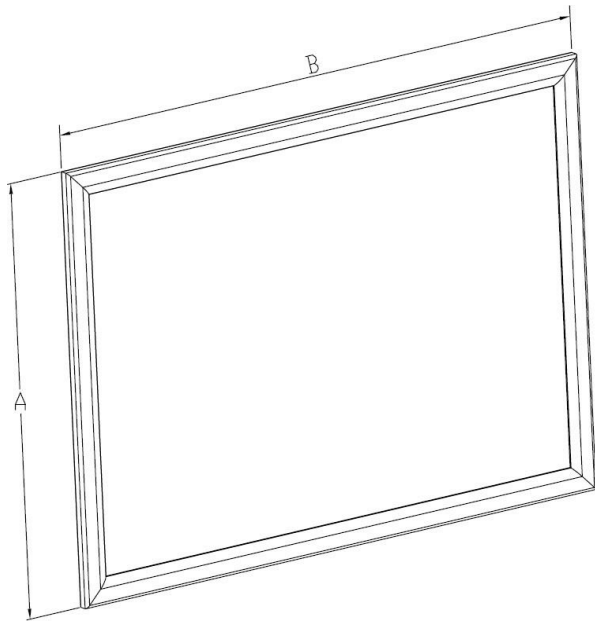


[Figure 6.2]

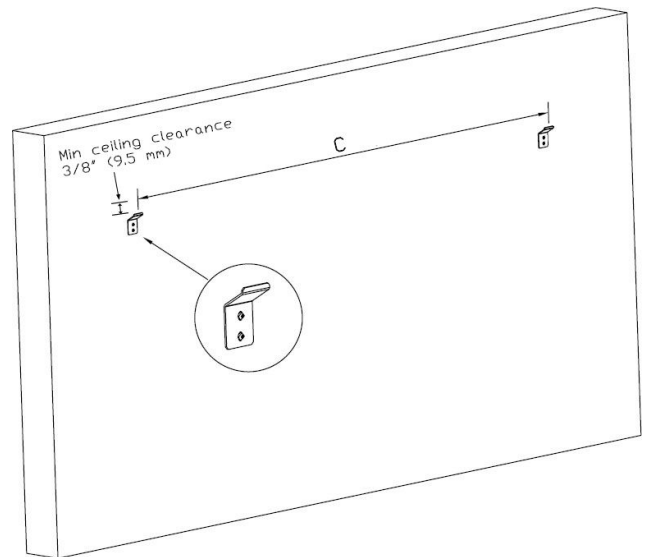
Note 6.1: For acoustically-transparent screen materials, please see *Appendix A: Black Backing Instructions* in this guide for steps to attach the black backing fabric before mounting the screen on the wall.

7. Measure the height and width of the completed screen ("A" and "B" respectively - see *Fig. 7.1*). Then attach the upper mounting brackets to the wall (see *Note 7.2* for the appropriate mounting methods). The top of upper mounting brackets should be approximately $\frac{1}{4}$ " below the desired location of the top of the frame. The horizontal distance between the centers of the upper brackets, "C", is determined in *Table 7.1* based on the frame width "B" (*Fig. 7.2*).

Note 7.1: For installations where the screen will be mounted flush to a ceiling, the top of the upper bracket should be placed no less than $\frac{3}{8}$ " below the ceiling.



[Figure 7.1]



[Figure 7.2]

Note 7.2:

For a wood framed wall: Locate two studs in the wall that are spaced apart the distance in *Table 7.1* and then secure each bracket to the center of each stud with the included mounting screws. Ensure that the screws fasten firmly into the studs, otherwise the brackets will not be secured.

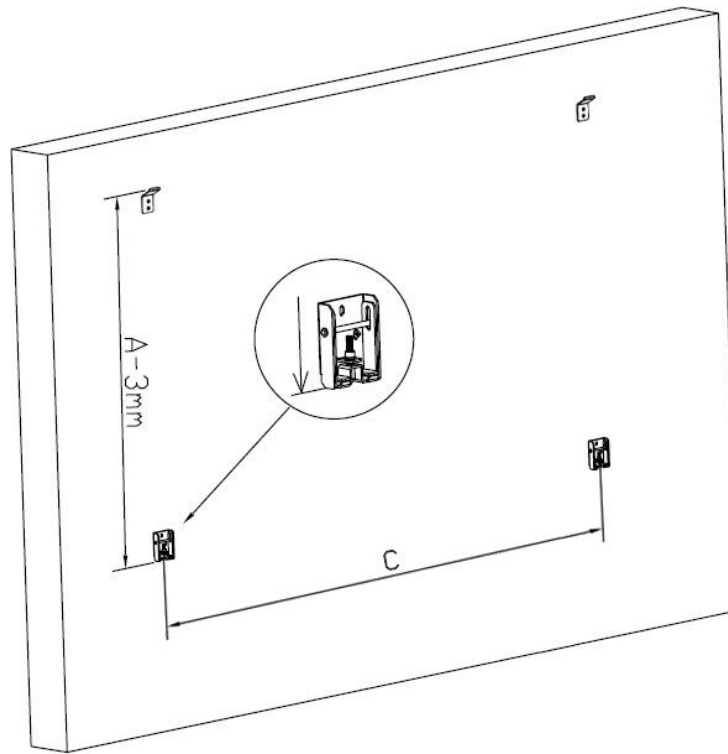
For a concrete wall: Use an electric drill and a $\frac{5}{16}$ " (8mm) bit to drill four holes (two for each bracket) and hammer the provided tapping anchors into each hole. Secure the brackets onto the wall by fastening the tapping screws to the tapping anchors.

Table 7.1: Horizontal Bracket Spacing Distance

Frame Width (B)	16" Stud Bracket Spacing (C)	24" Stud Bracket Spacing (C)
Less than 90"	48"	48"
90" to 110"	64"	72"
110" to 135"	80"	72"
135" to 160"	96"	96"
160" to 185"	112"	120"
185" to 210"	128"	120"

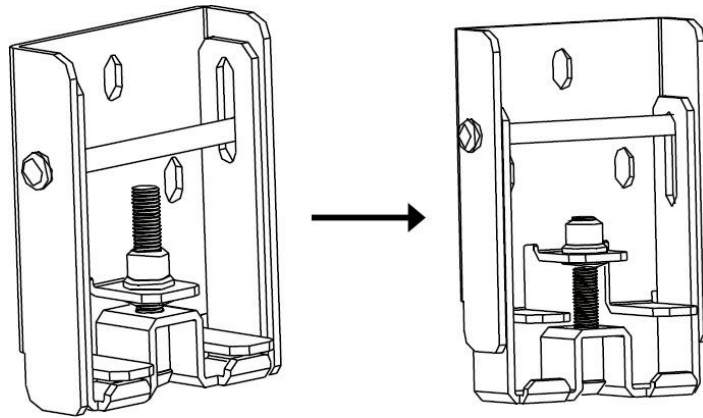
210" to 240"	144"	144"
240" to 265"	160"	168"

- Secure the lower brackets to the wall. The lowest part of each bottom bracket (with the screw all the way tightened) should be "A" minus $\frac{1}{8}$ " (3 mm) below the highest part of each upper bracket (*Fig. 8.1*). The distance between the centers of the lower brackets will also be "C" (*previously determined in Table 7.1*).



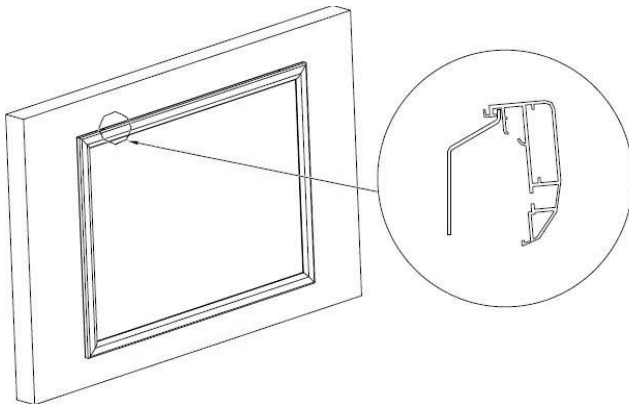
[Figure 8.1]

- After the lower brackets have been properly secured on the mounting surface, loosen the locking screw on each lower mounting bracket.

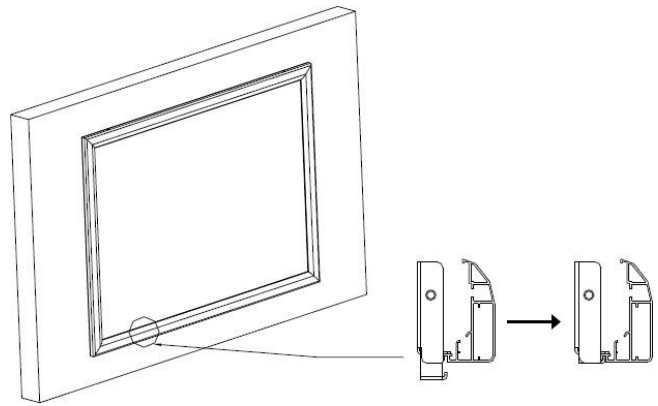


[Figure 9.1]

10. Hang the screen onto the upper brackets, fitting the upper edge of the bracket into the track on the frame (Fig. 10.1). Then let the screen hang vertically. The back of the lower frame rail should rest against the lower brackets. Adjust the horizontal position of the screen to the desired position, then tighten the locking screws on the bottom of the lower mounting brackets until the tabs of the mounting brackets fit firmly into the track of the frame, locking the frame in place (Fig. 10.2).



[Figure 10.1]



[Figure 10.2]

Appendix A: Black Backing Instructions

Follow these instructions to properly secure the included black backing to a Severtson Screens Fixed Frame Projection Screen. This guide applies to all Legacy Series and Impression Series Fixed Frame models.

This guide is intended to be followed after the screen material has been attached to the frame, but before it has been installed in its desired location.

Before proceeding, be sure that the screen is fully assembled and laying front-side-down on a clean, flat surface.

1. Line up the black backing. Lay each corner of the black backing onto the back of the frame. Ensure that the black backing is rotated the correct direction so that the entire back of the screen material will be covered by the black backing.



2. Secure the black backing at each corner. Release the two springs closest to each corner from the tension rods. Lay the black backing over the rod and hook the springs back over the tension rod and the black backing. Tuck the very corner of the material behind the tension rods to hold it firmly in place.



3. Secure the remainder of the black backing. The black backing should now be secured at the corners, but will be loose along the edges. At the center and several other mounting points along each edge, release the springs from the screen tension rods and lay the black backing over the rod, then reattach the springs. This will effectively tuck the black backing between the tension rod and each spring so that it will be secured in place. Your black backing is now properly installed.



Warnings

1. The frame is made with lightweight aluminum. Please handle with care.
2. Make sure the fasteners used are firmly secured to the wall to avoid any damage.
3. When installing the screen material onto the frame, make sure it is facing forward (viewing side toward the projector).
4. Be careful not to scratch or damage the screen surface while handling it.
5. Do not write or draw on screen surface. Do not poke, fold, or tear screen material.
6. Do not use detergents or harsh chemicals to clean screen material. A soft cloth and mild soap can clean dust and dirt off the screen material. A cotton cloth can be used to gently wipe dust off of the frame. *coated screens should not be cleaned in this manner.
7. Cover the screen to block out dirt and dust if it is not used for an extended period of time.
8. To prevent unnecessary damage, the assembly and maintenance of the screen should be done by adults.
9. For screens with water-based coatings, simply dust the screen with a clean, lint-free cloth. You may also blow dust off a coated screen with a leaf blower or similar. If a coated screen gets something on it that can't be removed by dusting or blowing, it can be cleaned with a damp, lint-free cloth using a dabbing motion. **DO NOT WIPE A COATED SCREEN WITH WATER.**



Ignoring the safety warnings may lead to injuries and/or damaging the product.



Brackets should be installed in a secure place to avoid accidents caused by the screen falling.



Please contact your local dealer for repairs or maintenance. Please contact our company if you have any further questions.

Use caution when installing or removing the screen. Loose parts may cause the screen to fall.