

Tremor™

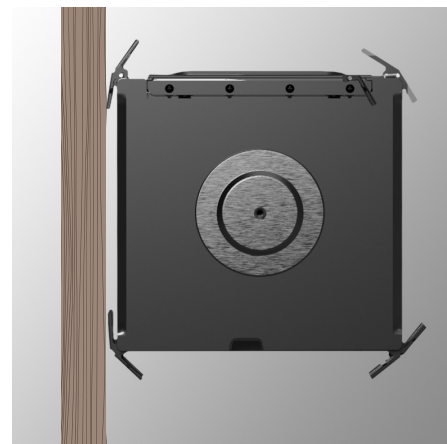
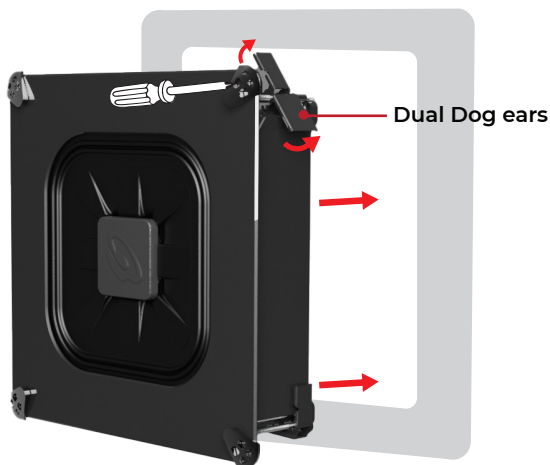
Introducing the latest addition to the world of home audio, the Tremor. This state-of-the-art passive subwoofer offers a unique blend of style, performance, and convenience, providing an exceptional listening experience for even the most discerning audiophile. Designed to be installed directly into a wall, the sealed cabinet design ensures that all sound is projected forward, resulting in powerful, accurate bass response that is free from distortion. For the best performance, the Tremor requires one of our DSP amps. With its sleek, unobtrusive design, this subwoofer seamlessly integrates into any home decor, delivering exceptional sound quality and clarity for movies, music, and more.



Installing the Subwoofer

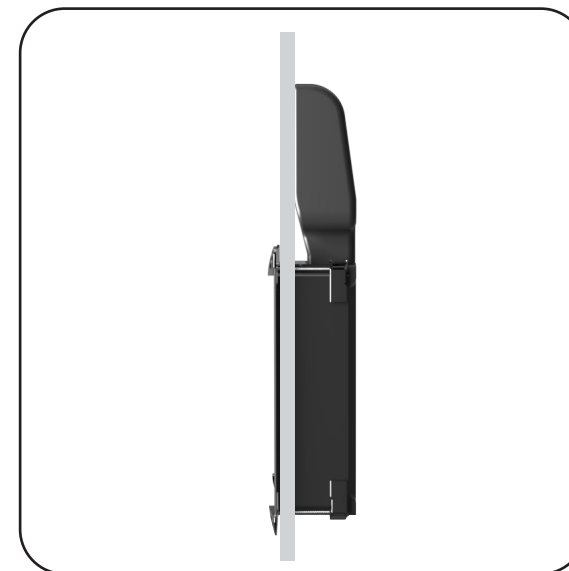
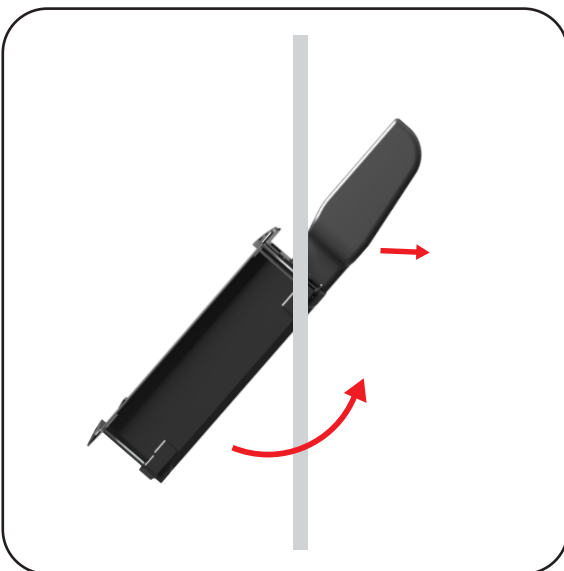
We are proud to introduce the dual dog ear technology for the Tremor. With this new design, you can be confident that the Tremor will remain securely fastened to the wall, even if it is pushed up against a stud. This technology ensures that one of the two dog ears will always be able to grab onto the wall, providing a reliable and sturdy installation. Additionally, to maximize the subwoofer's performance, we recommend using a 16/2 - 12/2 wire connected to the terminals and running it back to where the DSP amp will be located. This will help to ensure optimal sound quality and a seamless listening experience.

Note: The Tremor Subwoofer is designed to be installed into walls with a minimum thickness of 3.9" or 99mm.



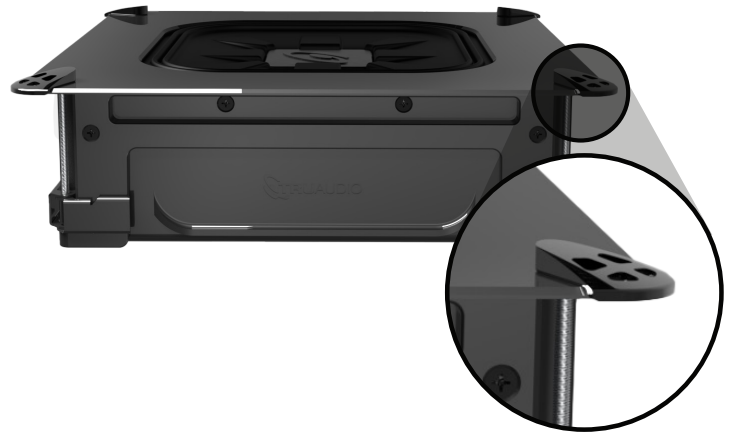
Installing the Bass Extension (TREMOR-EXT)

Adding the bass enhancing module to your Tremor Subwoofer is a simple and straight forward process. To begin, remove the four screws on the cover plate of the subwoofer and slide the plate off. Remove the acoustic membrane before attaching the bass extension module. Next, attach the bass enhancing module to the subwoofer using the same four screws. With the bass enhancing module installed, you'll immediately notice a significant improvement in the quality of your subwoofer's sound. The module adds an additional 3dB at 40Hz, resulting in enhanced bass response and a more immersive listening experience.



Grill

We're excited to continue the look of our magnetic grills with the Tremor Subwoofer. This design offers a sleek, minimalist look that seamlessly blends with any home decor, while also providing exceptional protection for the subwoofer. We've developed a magnetic rubber standoff that holds the grill tightly in place, ensuring a secure fit and preventing any unwanted rattling or vibrations.



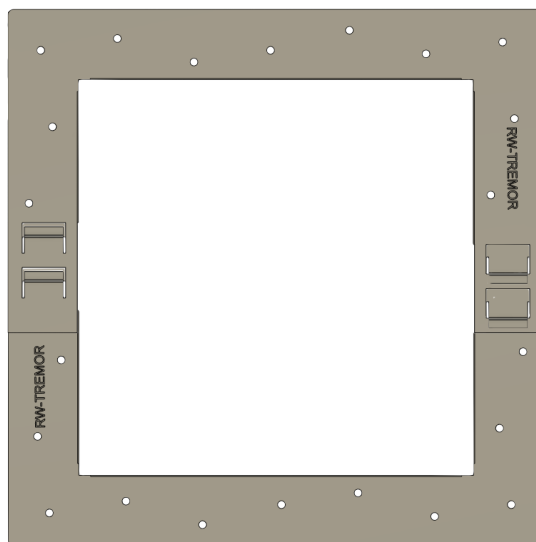
Painting the Grill

The Tremor comes with a white grill in the box, a black grill is sold separately if you desire. If you are going to paint your subwoofer grills, we suggest painting the grills before installation. Paint the grills lightly, being careful not to clog the perforation in the grill. Depending on the thickness of the paint, you may want to thin it down and spray a few light coats. This will help prevent clogging the grill's perforation.

Tip: Always keep compressed air nearby to lightly blow paint buildup from the grill perforation.

Rough-In Ring

RW-TREMOR



**OPTIONAL
AR-TREMOR**

Easily upgrade any Trunami sub to a Tremor with an AR-TREMOR adapter ring.



DSP

At TruAudio, we understand the importance of seamless integration when it comes to your home audio system. That's why we're proud to offer DSP compatibility for the Tremor Subwoofer with our TRU-S500DSP amp and the LEA Connect amplifiers, both come preloaded with this DSP. Our DSP technology has been specifically designed to optimize the performance of the Tremor Subwoofer when used with these amps, providing a precise and accurate sound quality that is unmatched in the industry.



Specifications

TREMOR

Speaker Type	Sealed, in-wall
Woofers:	10" PP square (radiating areas of a 12" woofer)
Power:	250 Watts
Grill Type:	Square, frameless magnetic
Sensitivity:	83 dB (1w/1m)
Freq. Response:	45-90 Hz (DSP limited)
Max Output:	107 dB (1m), 110db (1m) with bass extension
Impedance:	4Ω
Dimensions:	14.16" x 14.16" x 4.06" (360mm x 360mm x 103mm)
Mounting Depth:	3.9" (99.0mm)
Grill Dimensions:	14.5" x 14.5" (368.5mm x 368.5mm)
Cutout Size:	13.0" x 13.0" (330.2mm x 330.2mm)
Rough-in Ring:	RW-TREMOR, TREMOR-AR (Trunami adapter ring)

